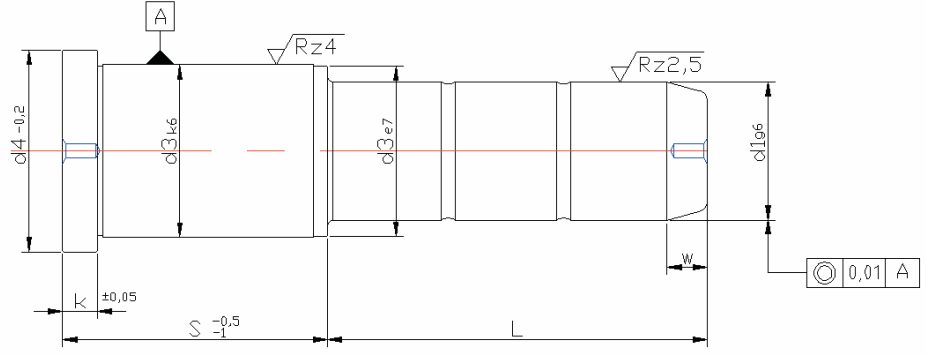




sxd1xl



Malzeme/Material : 1.7131 Sertlik/Hardness : 60±2Hrc

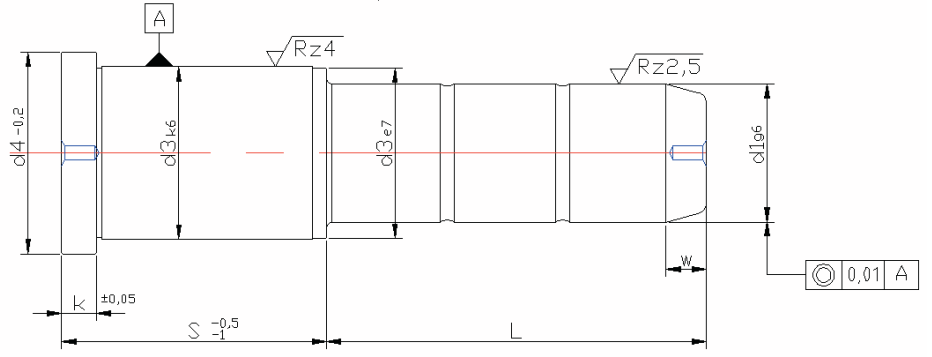
w	k	d3	d4	S	d1	L	Kod	d1	Kod				
4	3	14	16	17	10	20	A 03/17/10x20	9	A 03/17/9x20				
						30	30						
					22	10	35	A 03/22/10x25	9	35			
							55	55					
						27	10	30	A 03/27/10x30	9	30		
								50	50				
				36	10	25	A 03/36/10x25	9	25				
						45	45						
					46	10	30	A 03/46/10x30	9	30			
							45	45					
				7	6	20	25	22	15	20	A 03/22/15x20	14	A 03/22/14x20
										35	35		
40	40												
45	45												
50	50												
55	55												
65	65												
70	70												
90	90												
110	110												
27	15	20	A 03/27/15x20						14	20			
		35	35										
		40	40										
		45	45										
		55	55										
		105	105										
36	15	20	A 03/36/15x20					14	20				
		35	35										
		40	40										
		45	45										
		55	55										
		95	95										
	46	15	20					A 03/46/15x20	14	20			
			35					35					
			45	45									
			65	65									
			85	85									
			105	105									
56	15	20	A 03/56/15x20	14	20								
		35	35										
		55	55										
		75	75										
		95	95										
		95	95										

w	k	d3	d4	S	d1	L	Kod	d1	Kod				
7	6	20	25	66	15	55	A 03/66/15x55	14	A 03/66/14x55				
						65	65						
						95	95						
					76	15	55	A 03/76/15x55	14	55			
							95	95					
							55	A 03/86/15x55		14	55		
				95	95								
				7	6	26	31	22	20	20	A 03/22/20x20	18	A 03/22/18x20
										35	35		
										40	40		
										45	45		
										50	50		
55	55												
60	60												
65	65												
70	70												
80	80												
85	85												
115	115												
27	20	20	A 03/27/20x20					18	20				
		35	35										
		40	40										
		45	45										
		50	50										
		55	55										
	60	60											
	65	65											
	70	70											
	80	80											
	85	85											
	105	105											
36	20	20	A 03/36/20x20	18	20								
		35	35										
		40	40										
		45	45										
		50	50										
		55	55										
	60	60											
	65	65											
	70	70											
	75	75											
	80	80											
	95	95											
46	20	20	A 03/46/20x20	18	20								
		45	45										





sxd1xl



Malzeme/Material : 1.7131 Sertlik/Hardness : 60±2Hrc

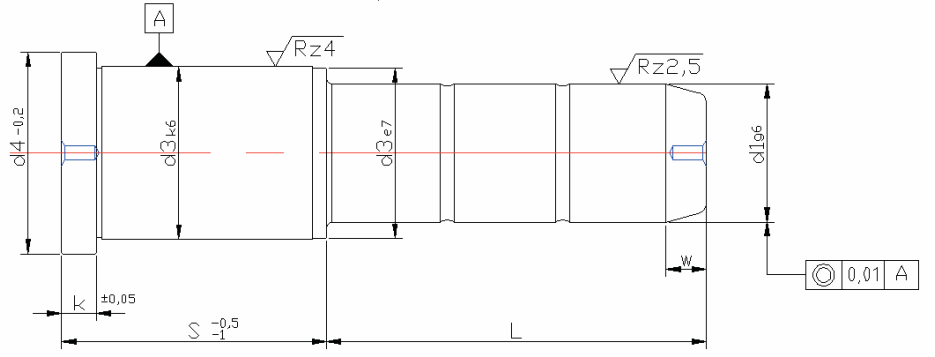
w	k	d3	d4	S	d1	L	Kod	d1	Kod							
7	6	26	31	46	20	65	A 03/46/20x65	18	A 03/46/18x65							
						85	85		85							
						105	105		105							
						135	135		135							
						165	165		165							
					56	20	20	A 03/56/20x20	18	A 03/56/18x20						
							35	35		35						
							55	55		55						
							75	75		75						
							95	95		95						
					66	20	55	A 03/66/20x55	18	A 03/66/18x55						
											75	75	75			
											95	95	95			
					76	20	55	A 03/76/20x55	18	A 03/76/18x55						
											75	75	75			
				95							95	95				
				86	20	55	A 03/86/20x55	18	A 03/86/18x55							
										75	75	75				
										95	95	95				
				96	20	55	A 03/96/20x55	18	A 03/96/18x55							
										95	95	95				
										115	115	115				
				7	6	30	35	27	24	25	A 03/116/20x115	22	A 03/116/18x115			
										45	45		45			
50	50	50														
60	60	60														
65	65	65														
70	70	70														
80	80	80														
85	85	85														
105	105	105														
125	125	125														
165	165	165														
7	6	30	35							36	24		25	A 03/27/24x25	22	A 03/27/22x25
													45	45		45
													50	50		50
													55	55		55
				60	60	60										
				65	65	65										
				70	70	70										
				75	75	75										
				80	80	80										
				85	85	85										
				105	105	105										
				125	125	125										
				165	165	165										
				7	6	30	35	46	24			25	A 03/96/24x55	22		A 03/96/18x55
												45	45			45
50	50	50														
55	55	55														
60	60	60														
65	65	65														
70	70	70														
75	75	75														
80	80	80														
85	85	85														
105	105	105														
125	125	125														
165	165	165														

w	k	d3	d4	S	d1	L	Kod	d1	Kod						
7	6	26	31	46	24	60	A 03/46/24x60	22	A 03/46/22x60						
						65	65		65						
						70	70		70						
						80	80		80						
						85	85		85						
					56	24	105	A 03/56/24x25	22	A 03/56/22x25					
											125	125	125		
											165	165	165		
											25	25	25		
											45	45	45		
					66	24	55	A 03/66/24x55	22	A 03/66/22x55					
											75	75	75		
											95	95	95		
					76	24	55	A 03/76/24x25	22	A 03/76/22x25					
											115	115	115		
				165							165	165			
				86	24	55	A 03/86/24x55	22	A 03/86/22x55						
										75	75	75			
										95	95	95			
				96	24	55	A 03/96/24x55	22	A 03/96/22x55						
										75	75	75			
										95	95	95			
				116	24	75	A 03/116/24x75	22	A 03/116/22x75						
										115	115	115			
155	155	155													
7	6	42	47	27	32	135	A 03/136/24x135	22	A 03/136/22x135						
						45	/27/32x45		/27/30x45						
						65	65		65						
						105	105		105						
						165	165		165						
						36	32		55	A 03/36/32x55	30	A 03/36/30x55			
													75	75	75
													95	95	95
													115	115	115
													155	155	155
						46	32		45	A 03/46/32x45	30	A 03/46/30x45			
													65	65	65
													85	85	85
													105	105	105
													125	125	125





sxd1xl



Malzeme/Material : 1.7131 Sertlik/Hardness : 60±2Hrc

w	k	d3	d4	S	d1	L	Kod	d1	Kod
7	6	42	47	46	32	165	A 03/46/32x165	30	A 03/46/30x165
						55	A 03/56/32x55	30	A 03/56/30x55
				56	32	75	75	30	75
						95	95	30	95
						115	115	30	115
						135	135	30	135
						175	175	30	175
				66	32	55	A 03/66/32x55	30	A 03/66/30x55
						75	75	30	75
						95	95	30	95
						115	115	30	115
						135	135	30	135
				76	32	55	A 03/76/32x55	30	A 03/76/30x55
						75	75	30	75
						95	95	30	95
						115	115	30	115
						155	155	30	155
				86	32	55	A 03/86/32x55	30	A 03/86/30x55
						75	75	30	75
						95	95	30	95
						115	115	30	115
						155	155	30	155
				96	32	55	A 03/96/32x55	30	A 03/96/30x55
						75	75	30	75
						95	95	30	95
						115	115	30	115
						155	155	30	155
				116	32	75	A 03/116/32x75	30	A 03/116/30x75
						115	115	30	115
						155	155	30	155
				136	32	95	A 03/136/32x95	30	A 03/136/30x95
						115	115	30	115
						155	155	30	155
				156	32	115	A 03/156/32x115	30	A 03/156/30x115
						155	155	30	155
						195	195	30	195
				196	32	155	A 03/196/32x155	30	A 03/196/30x155
						195	195	30	195
						75	A 03/56/42x75	40	A 03/56/40x75
				56	42	115	115	40	115
						155	155	40	155
						195	195	40	195
				66	42	75	A 03/66/42x75	40	A 03/66/40x75
						135	135	40	135
						75	A 03/76/42x75	40	A 03/76/40x75
				76	42	115	115	40	115
						175	175	40	175
						75	A 03/86/42x75	40	A 03/86/40x75
86	42	75	75	40	75				

w	k	d3	d4	S	d1	L	Kod	d1	Kod
7	10	54	60	86	42	135	A 03/86/42x135	40	A 03/86/40x135
						75	A 03/96/42x75	40	A 03/96/40x75
				96	42	115	115	40	115
						155	155	40	155
						95	A 03/116/42x95	40	A 03/116/40x95
				116	42	135	135	40	135
						195	195	40	195
						95	A 03/136/42x95	40	A 03/136/40x95
				136	42	135	135	40	135
						215	215	40	215
						115	A 03/156/42x115	40	A 03/156/40x115
				156	42	155	155	40	155
						215	215	40	215
						155	A 03/196/42x155	40	A 03/196/40x155
				196	42	195	195	40	195
						235	235	40	235
						96	50	115	A 03/96/50x115
				10	10	66	72	116	50
136	50	135	A 03/136/50x135					40	135
156	50	155	A 03/156/50x155					40	155
196	50	175	A 03/196/50x175					40	175
10	20	80	86	96	60	115	A 03/96/60x115	40	115
				116	60	135	A 03/116/60x135	40	135
				136	60	135	A 03/136/60x135	40	135
				156	60	155	A 03/156/60x155	40	155
				196	60	175	A 03/196/60x175	40	175
246	60	195	A 03/246/60x195	40	195				

