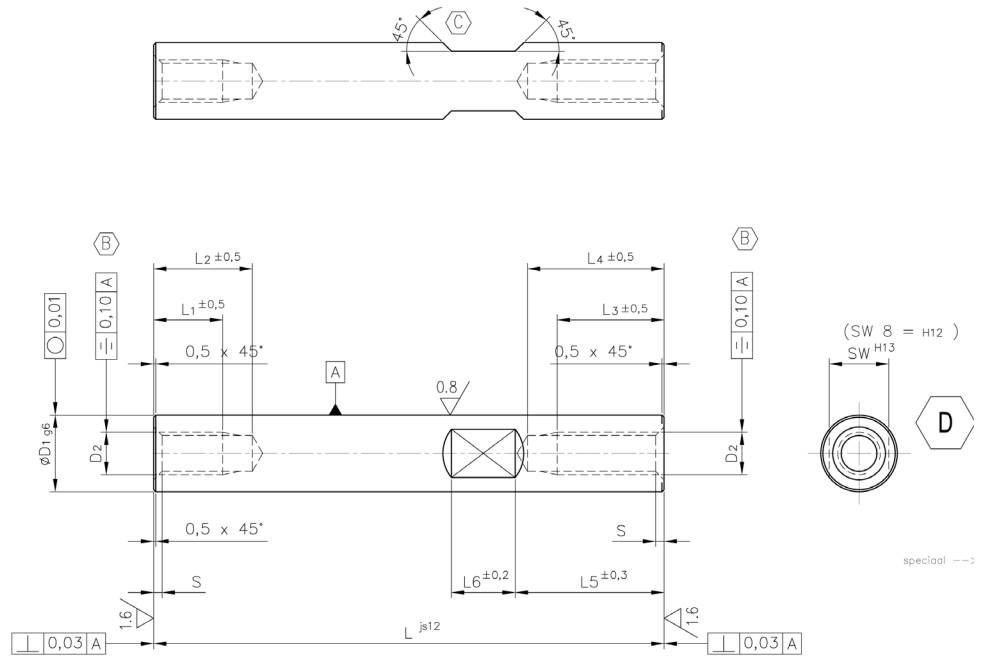


A 902



SIYIRICI MİLİ KNOCK-OUT ROD TYPE 2

d1xL



Kod	L	SW	L1	L2	L3	L4	L5	L6	D2	D1	S
A 902 10 x 60	60	8	9	14	20	25	30	10	M6	10	1,5
A 902 10 x 70	70										
A 902 10 x 80	80										
A 902 10 x 100	100										
A 902 10 x 140	140										
A 902 14 x 60	60	10	12	15	20	25	32	12	M8	14	1,75
A 902 14 x 80	80										
A 902 14 x 100	100										
A 902 14 x 120	120										
A 902 14 x 140	140										
A 902 14 x 180	180										
A 902 16 x 60	60	12	15	17	30	37	35	15	M10	16	2
A 902 16 x 70	70										
A 902 16 x 80	80										
A 902 16 x 100	100										
A 902 16 x 120	120										
A 902 16 x 140	140										
A 902 16 x 200	200										
A 902 18 x 100	100	14	15	17	30	37	35	15	M10	18	2
A 902 18 x 120	120										
A 902 18 x 140	140										
A 902 18 x 160	160										
A 902 18 x 180	180										
A 902 18 x 200	200										
A 902 18 x 220	220										
A 902 18 x 240	240										
A 902 20 x 120	120	14	18	26	40	48	50	15	M12	20	2,25
A 902 20 x 140	140										
A 902 20 x 160	160										
A 902 20 x 180	180										
A 902 20 x 200	200										
A 902 20 x 240	240										
A 902 24 x 120	120	17	18	26	40	48	50	15	M12	24	2,25
A 902 24 x 140	140										
A 902 24 x 160	160										
A 902 24 x 180	180										
A 902 24 x 200	200										
A 902 24 x 240	240										
A 902 24 x 260	260										
A 902 34 x 160	160	24	20	29	40	49	60	20	M16	34	2,5
A 902 34 x 200	200										
A 902 34 x 240	240										
A 902 34 x 260	260										
A 902 34 x 300	300										

